

Low Frequency transmitter for Diaphragm meters

Introduction

A low frequency transmitter is available as option on our range of diaphragm meters. This document describes the different versions.



1) Description

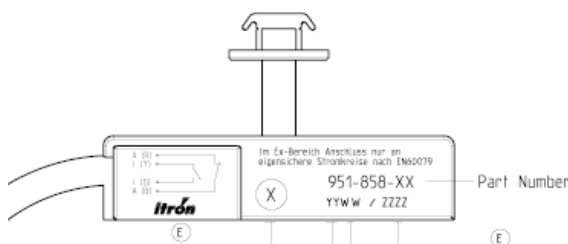
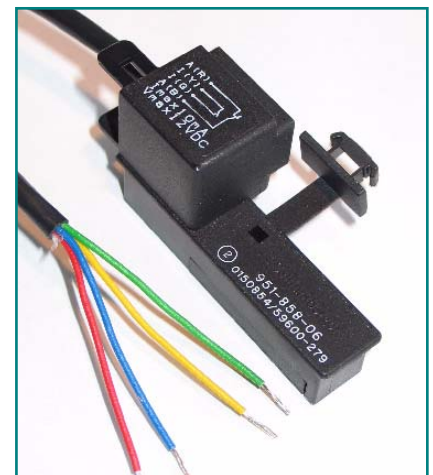


- Totaliser: each totaliser is pre-equipped with a magnet placed into the first or second drum. The pulse value of the low frequency (LF) transmitter corresponds to a complete rotation of this drum.
- The LF transmitter is inserted into the above part of the totaliser and contains 1 dry Reed switch normally open. The LF transmitter can be retrofitted without breaking the metrological seals.

2) Available versions

- Transmitter equipped with cable:** The cable of 1 m allows an easy connection of the LF transmitter. It is also fitted as standard with an anti-tampering (AT).

The plugging of the cable is the following: LF yellow and green, AT red and blue.



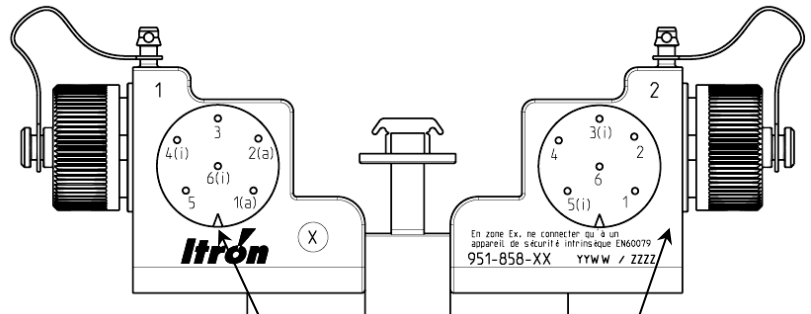
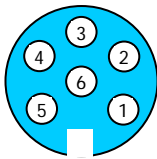
| Model | Size | Pulse rate | Reference |
|---------------------------|-----------|------------|------------|
| Magnet in the first drum | G2,5 – G6 | I= 0,01 | 951-858-04 |
| | G10 – G65 | I=0,1 | |
| | G100 | I=1,0 | |
| Magnet in the second drum | G2,5 – G6 | I= 0,1 | 951-858-06 |
| | G10 – G65 | I=1,0 | |

b) **Transmitter equipped with two binder plugs**: This version is equipped with two sockets type binder 6 pins DIN45322, each with one pulse output. Binder plug 1 is also fitted as standard with an anti-tampering (AT).

The plugging of the socket is the following:

| | |
|----------|--------------------|
| Binder 1 | LF 4 – 6, AT 1 – 2 |
| Binder 2 | LF 3 – 5 |

Extern view of the socket

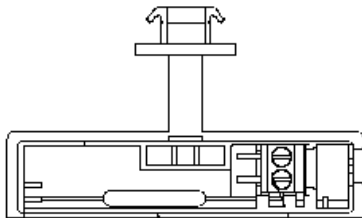


| Model | Reference |
|---------------------------|------------|
| Magnet in the first drum | 951-858-20 |
| Magnet in the second drum | 951-858-21 |

Binder 1:
LF1: Pin 4 and 6
AT: Pin 1 and 2

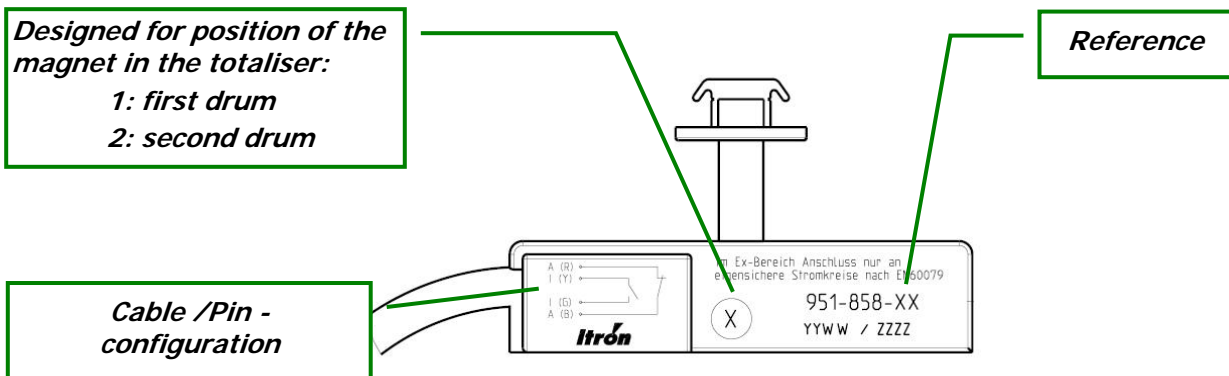
Binder 2:
LF2: Pin 3 and 5

c) **Transmitter equipped with a terminal block**: The connection can be done through a standard terminal block. This version is not equipped with an anti-tampering.



| Model | Reference |
|--------------------------|------------|
| Magnet in the first drum | 240-800-31 |

3) Identification of the LF transmitter



ITRON reserves the right to change this document without prior notice